

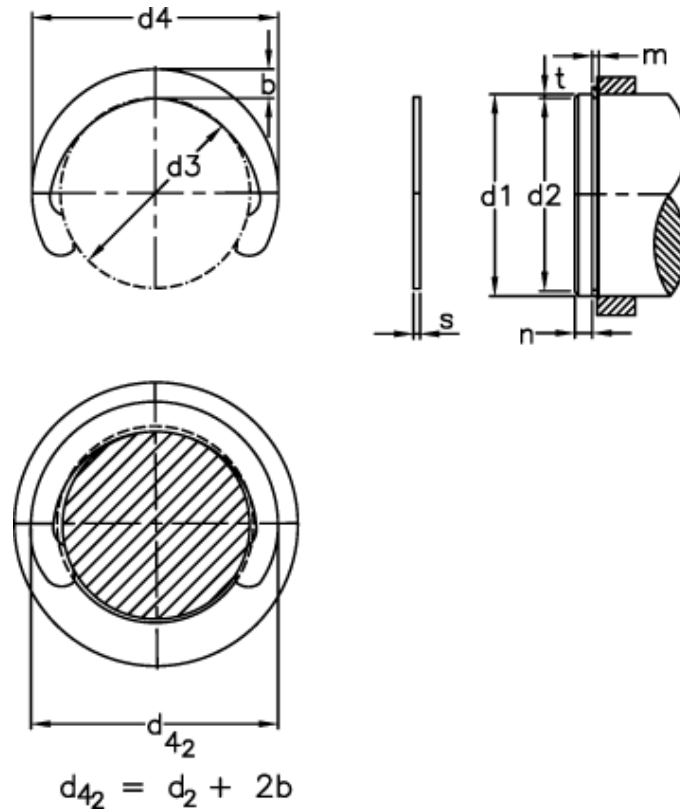
# Data Sheet



Article number: 0118015

Description: Retaining ring H 5

## Measures



b	= 1.20	FRg kN	= 0.7	t	= 0.50
d1	= 5	FR kN	= 1.10	tol	= -0.07
d2	= 4.0	g	= 0.60	tol	= 0.08
d3	= 3.80	Gripper	= GRH 5	tol	= -0.05
d4	= 6.20	m min	= 0.64	Weight kg/1000	= 0.08
d4 2	= 6.4	n abl x 1000	= 88		
Description	= H 5,0	Nominal drive	= 1.5		
FN kN	= 0.58	s	= 0.60		